

PRESENT-DAY PROBLEMS OF DRAWING SCIENCE

Kokiyev Boburmirzo Bahodir oqli

Teacher of Chirchik State Pedagogical Institute of Tashkent region b.kukiev@cspi.uz +998974469233

ABSTRACT

The article describes some of the deficiencies of the science of drawing in the example of the process of building axonometry. There are suggestions for reviewing the teaching hours of drawing in general education schools and the introduction of grades 10-11.

Keywords: Axonometry, detail, shear, ellipse, prism, frontal, profile, horizontal, isometry, plane.

INTRODUCTION, LITERATURE REVIEW AND DISCUSSION

It is no secret that all the reforms being carried out in our country are aimed at alleviating the burden of the people and improving their quality of life. Historically, people's mentality is very different from yesterday's. With the independence of our country, the attention to education, as in all fields, has not been left out. Nowadays, all conditions are created in the educational process for students to speak English, Russian and other languages besides their mother tongue. Modern textbooks, classrooms, sports fields, all the conditions are created for the student who wants to study. It should not be forgotten that all this is created by the efforts of our President Shavkat Miromonovich Mirziyoyev.

On January 24, 2020, the Address of the President of the Republic of Uzbekistan to the Parliament was submitted¹. This Address is important in that it sets out the priorities for the comprehensive development of the new Uzbekistan in the recent years. Most importantly, it should be noted that the petition covers all areas of socio-economic development of our society. Particularly, the President outlined a number of strategic directions for the science, education and education system, the tasks of which demand for a deeper understanding of the content of the educational policy of our modern society.

- The Address of the President to the Parliament was met with great interest by our people. It, like all other fields, emphasizes on education. Most importantly, priorities have been identified for all stages of education. The pre-school education system has its own characteristics as the primary level of education. Admittedly, until recent years, this area has been somewhat neglected. In recent years, under the leadership of the President, serious attention has been paid to this area. Generally, what are your thoughts on the role of preschool education in society?

In other countries, the number of children growing up without seeing what a school or kindergarten is. In some lands, children are more likely to die carrying guns instead of going to school. Thanks to the initiatives of our President, the attention paid to education in our country is developing day

¹From the speech of Adress by the President of the Republic of Uzbekistan Sh.M.Mirziyoyev to the Oliy Majlis 2020.

by day. The fact that today's students are improving a sense of devotion to the motherland, a loyal military or a teacher, a doctor is a guarantee that in the future they will grow up to be professionals. In today's developing world, it is the responsibility of every teacher to teach with the help of modern technology while giving good knowledge. Every teacher should teach according to the requirements of the time, based on their subject. They need to identify the deficiencies of today's science and work on ways to solve them in a timely manner. According to the aforementioned information, we will look at the current problems of drawing from the subjects taught today. Given the matter that the subject of drawing is one of the specific disciplines, the lack of teaching hours in schools. Each subject is taught according to its characteristics. Because of the nature of the subject of drawing, 1 hour per week is too little for the process of teaching drawing. One of the biggest problems is that drawing is an exact science and there are less than 1 hour to explain the drawings in the classroom to the students. Drawing not only involves students' outlook, but also enriches their imagination.² If we analyze the topic of axonometry from the drawing topics, 1 hour is too little for this topic because 60 minutes are spent with self-explanation of axonometry. There is not enough time to build axonometry.

For instance. Draw the axonometry and make the cuts of the detail given in Figure 1, a. In the following, drawing the cuts is shown at the isometry of a detail step by step. The x , y , z axes are marked at the center of the ellipse (circle) (Figure 1, b). They are also defined on the basis of detail, and the fundament of the detail - the prism is made (Fig. 1, d). The prism on the base of the detail and the ellipses on and under it are drawn. It is assumed that the frontal and profile cutting planes pass through the x and y axes. These planes intersect at z . The planes then intersect in the vertical 1-1, 2-2, 3-3 and 4-4 and horizontal 1-2, 3-4 lines of the detail (Fig. 1, d). Excess of these lines is erased and the drawing is crowned (Figure 1, e). The cut surfaces of the detail are hatched in isometry as in Figure 2, a. The same distances from O to x , y and z are taken as $OA = OB = OC$.

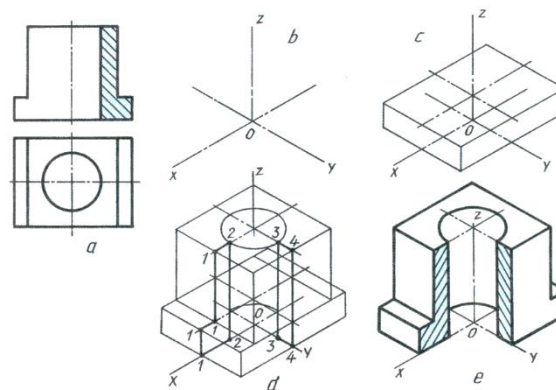


Figure 1

² THE IMPORTANCE OF PEDAGOGICAL TECHNIQUES IN TEACHING ASSISTIVE DESIGN Kokiev Boburmirzo Bahodir ogli is a teacher at Chirchik State Pedagogical Institute in Tashkent region Page – 182.

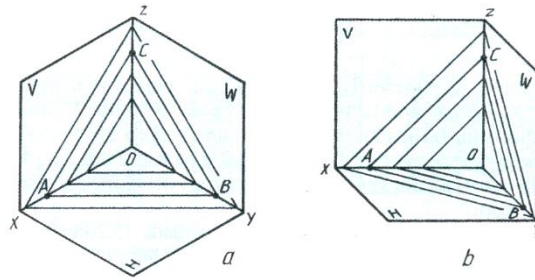


Figure 2

This is a 1 hour lesson on axonometry, which causes a lot of problems for students. Briefly, the lack of class time, which is taught once a week, weakens students' spatial imaginations and thinking processes. In our country, a number of practical measures are being taken to direct young people to the profession. Judging by the nature of the science of drawing. By introducing construction drawing classes in schools, it is possible to train a several number of school graduates with certain knowledge and skills in the field of construction. The introduction of 10-11 grades in schools by the President is an opportunity to teach the construction and drawing lessons we offer. The goal is to educate the younger generation to be able to think independently in the future so that they can lead an independent life.

Solutions in the right time to these problems will improve the quality of education and help the younger generation to think independently. Everyone's ability to think with their imagination is improving. All the news in the world is created by imagination in the first human mind. Drawing is one of the sciences that evolves the process of thinking as well as imagination.

REFERENCES

1. From the speech of Adress by the President of the Republic of Uzbekistan Sh.M.Mirziyoyev to the Oliy Majlis 2020.
2. GI Mukhamedov, UN Khodjamkulov INNOVATION CLUSTER OF PEDAGOGICAL EDUCATION: DEFINITION, DESCRIPTION, CLASSIFICATION (scientific brochure) Chirchik "Institute" 2019.
3. IKROM RAKHMONOV DRAWING 8 Recommended by the Ministry of Public Education of the Republic of Uzbekistan as a textbook for secondary schools "TEACHER" PUBLISHING HOUSE TASHKENT - 2010. P 77-79.
4. THE IMPORTANCE OF PEDAGOGICAL TECHNIQUES IN TEACHING ASSISTIVE DESIGN Kokiev Boburmirzo Bahodir oqli is a teacher at Chirchik State Pedagogical Institute in Tashkent region Page - 182.
5. THE IMPORTANCE OF PEDAGOGICAL TECHNIQUES IN TEACHING ASSISTIVE DESIGN Kokiev Boburmirzo Bahodir oqli is a teacher at Chirchik State Pedagogical Institute in Tashkent region b.kukiev@cspi.uz.